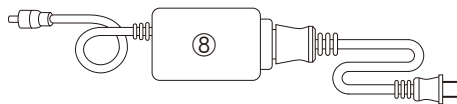
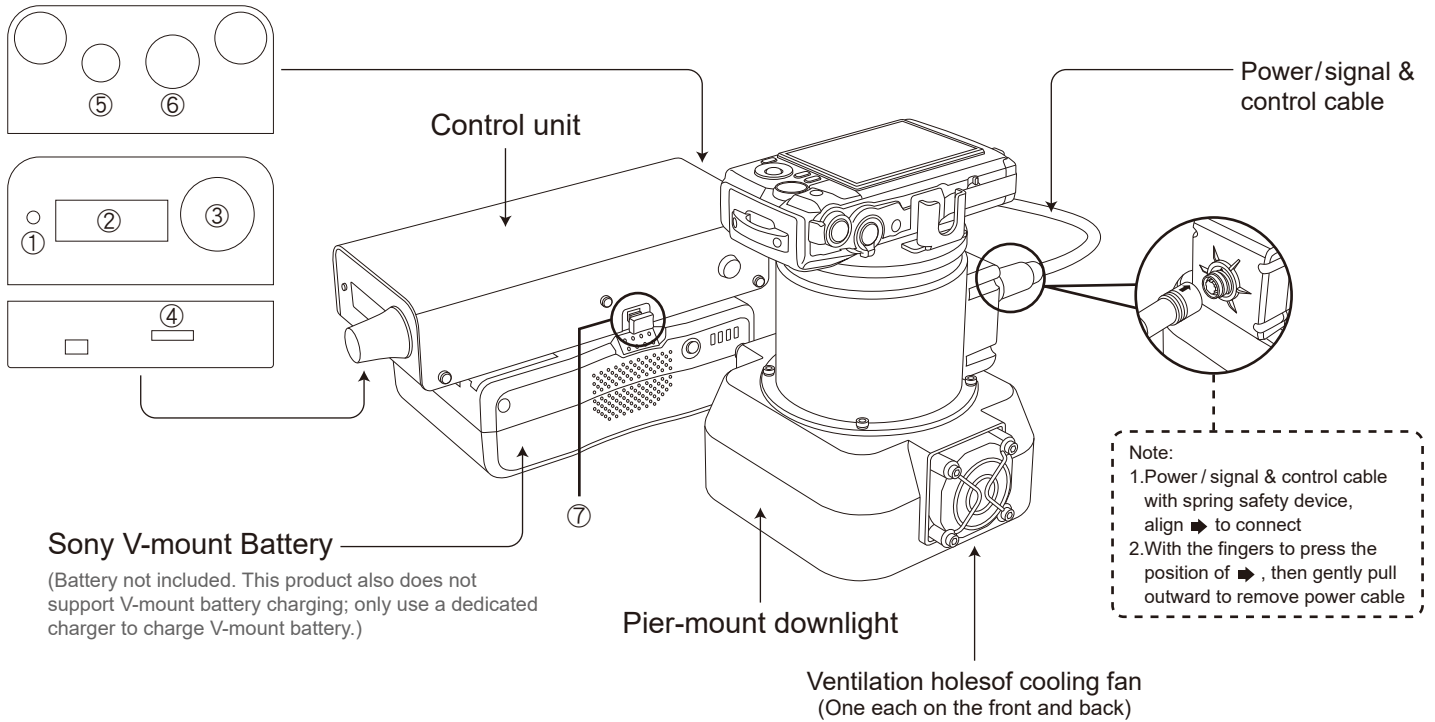
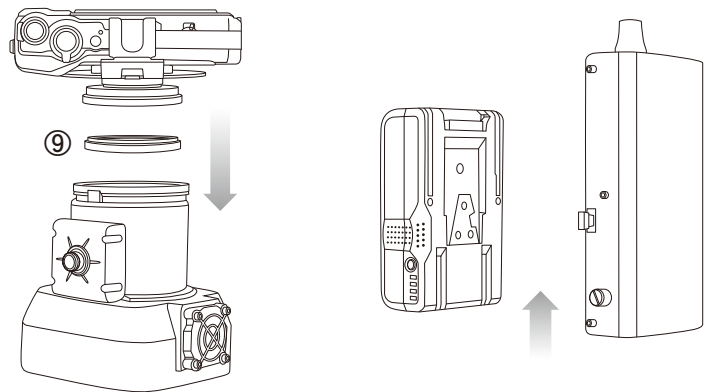


X-Loupe® ForteLite-TG Product Parts and assembly diagram



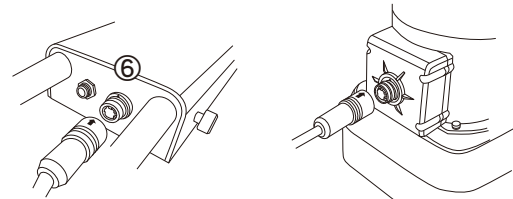
- ① Power ON / OFF
- ② LCD status display LCD
 - Channel & Light source
 - Lighting intensity digital
- ③ Control knob (illumination intensity)
 - Stepless illumination Intensity is dimmable from 1~100%
 - Default setting 50%
- ④ Light source switching / Default lightness push button
 - Sequentially toggle the switch to change light source (standard 2-channel: IR - White)
 - Directly press the switch to reply the illumination intensity default setting (50%)
- ⑤ DC power supply
- ⑥ Power / signal & control cable
- ⑦ Battery remove butto
- ⑧ AC to DC voltage converter
- ⑨ 49mm Filter

- 1** Place and connect the filter ⑨ between the camera and the pier-mount downlight
- 2** Slide the battery up from the bottom of the battery holder into the locked position

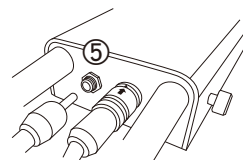


- 3** Insert one end of Power/ signal & control cable (Note) into the ⑥ cable port beneath the control unit, and the other end into the cable port on the side of the pier-mount downlight, to use battery power

Note: The Power / signal & control cable provides power and communication between the control unit and the pier-mount downlight



- 4** Or, at the same time plug in the adapter, use ⑧ AC power cord, connect to the power port ⑤ beneath the control unit, directly supply the power



(Power / signal & control cable should remain connected)

X-Loupe[®] ForteLite-TG Specification

Control Unit	
Function	Power On, Off / Light Channel Switch / Dimming Control
External Battery (not included)	Recommend: SONY V-mount BP series rechargeable battery *For shipping safety, product package come without battery
Power Supply	(1) External Battery (see the user manual of battery) (2) Power adapter* (INPUT : 100-240V~1.5A, 50-60Hz / OUTPUT : DC 19V, 4.7A) included in the product set. Charging via a wall outlet. *This adapter does not support V-mount battery charging; only use the dedicated charger for SONY V-mount battery charging.
Material	Steel, Aluminum, ABS
Operation Environment	0 ~ 40°C
Weight	1160g (Max)
Dimension (mm)	215(L) x 120(W) x 55(H)
Use in conjunction with Control Unit	Pier-mount downlight
Compatible with camera	OM System (former OLYMPUS) Tough TG
Mounting Method	Magnet mount
Filter	49mm (outside diameter ≤ 54mm, thickness ≤ 5mm) / Glass
Channel & Light source	Multi-channel. (2 bands standard, others optional, up to 4 channels available) Light Pack1: Latent Fingerprint Light Source - IR / White light (for Anti-Stokes powders / Regular)
LED Number	Each channel x 48
Power Consumption	55W (Max)
Dimming intensity	Intensity is dimmable from 1% to 100% (default setting 50%)
Dimension (mm)	145(L) x 115(W) x 128(H)
Weight	735g (Max)
Material	Aluminum, ABS, RoHS compliant
Power cable length	30cm
Operation Environment	0 ~ 40°C

*We (Lumos Tech.) reserves the right to change the product appearance or specification. The contents of catalogs / manuals are subject to change without prior notice.

*The system only support and to be used with OLYMPUS Tough TG for the best effect.

Precautions for use

⚠ Warning ⚠

Read all instructions and understand the warnings prior to using this product.

Failure to read and follow these safety instructions could result in fire, explosion, electrical shock or other hazard causing serious and/or fatal injury and/or property damage. Please obey the following instructions.

- 1.This product is not a toy. Keep out of reach of children.
- 2.This device equipped high-brightness excitation LEDs; it is intense enough to injure eyes. While operating, for eyes safety, DO NOT look directly excitation light source, or stare the leak of light at close range.
- 3.DO NOT leave this device near the heat source or use in a hot environment; The device has ventilation holes to prevent the internal temperature from becoming too high. Pay attention to the running of cooling fan. DO NOT block the ventilation hole/vent hole of cooling fan.
- 4.Keep the device away from water or other liquids. A humid device could result in fire or electric shock. If it's wet, immediately turn off the device power, then wipe out the liquid the device surface.
- 5.Turn off the LED lights when you aren't using them.
- 6.Refer all servicing to your distributor. Servicing is required when the device has been damaged in any way, such as power-supply cord is damaged, liquid has been spilled, the apparatus has been exposed to rain or moisture, does not operate normally, or has been dropped. Do NOT disassemble, alter or modify to this device.

Distributor



Li-ion



7th floor, No.8, Wanhe St., Wenshan District,
11653 Taipei City, Taiwan, R.O.C.

TEL:886-2-2230-1168 FAX:886-2-2239-2112

e-mail:contact@lumos.com.tw

www.x-loupe.com

LUMOS
Lumos Technology Co. Ltd.