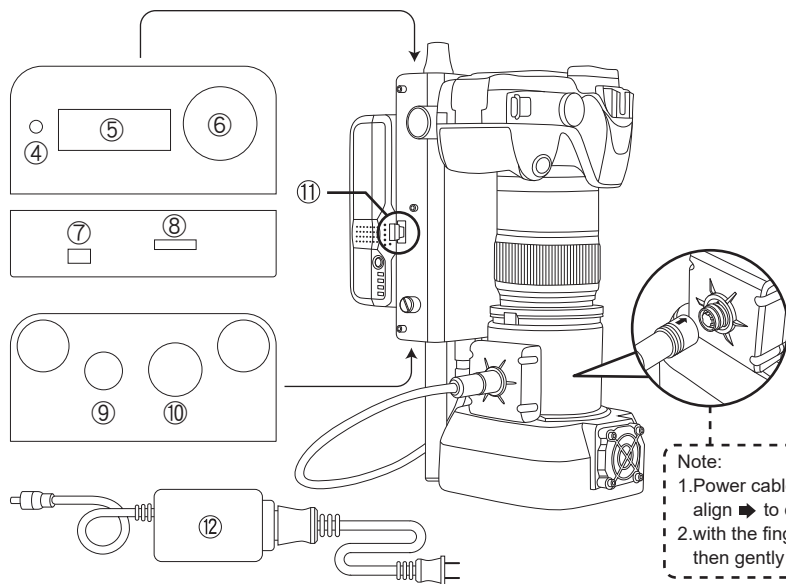


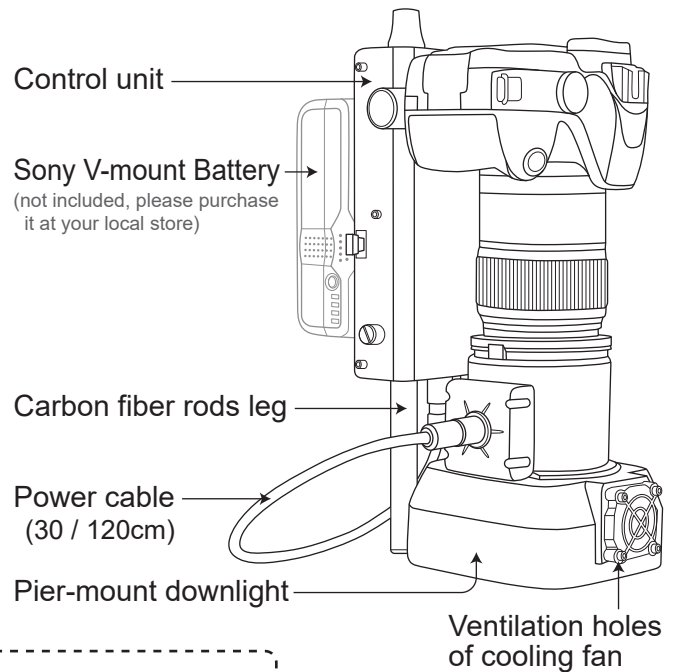
# X-Loupe<sup>®</sup> ForteLite System

## Product Parts and assembly diagram



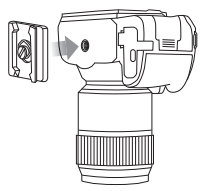
Note: For Canon or Nikon APS-C camera and 60mm macro lens only

- |   |   |  |
|---|---|--|
| <p>① Stepping ring<br/>52mm-58mm<br/>(for Canon EF-S 60mm f/2.8 Macro USM)<br/>62mm-58mm<br/>(for Nikon AF-S Micro Nikkor 60mm f/2.8G ED)</p> <p>② Multi-hole Adapter Ring</p> <p>③ 49mm Filter</p> | <p>④ Power ON / OFF</p> <p>⑤ LCD Status Display LCD<br/>· Show the status of Battery / lighting position / lighting intensity digital</p> <p>⑥ Control knob (illumination intensity)</p> <p>⑦ Selective Switch (illumination intensity)<br/>· Stepless illumination Intensity is dimmable from 1~100%<br/>· Default setting 50%</p> | <p>⑧ Light source switching / Default lightness push button<br/>· Sequentially toggle the switch to change light source (standard 2-channel: IR - White)<br/>· Directly press the switch to reply the illumination intensity default setting (50%)</p> <p>⑨ Charging port</p> <p>⑩ Power cable port (30 / 120cm)</p> <p>⑪ Battery remove butto</p> <p>⑫ AC power cordn</p> |
|---|---|--|

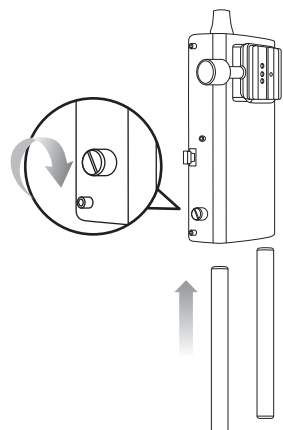
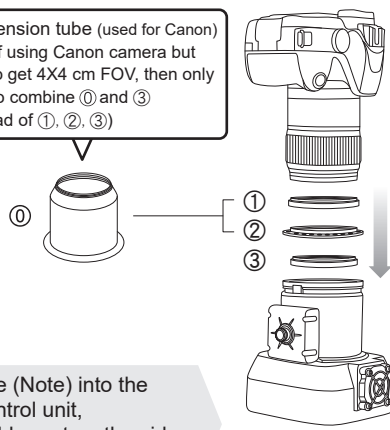


Note:  
1. Power cable with spring safety device, align to connect  
2. with the fingers to press the position of , then gently pull outward to remove power cable

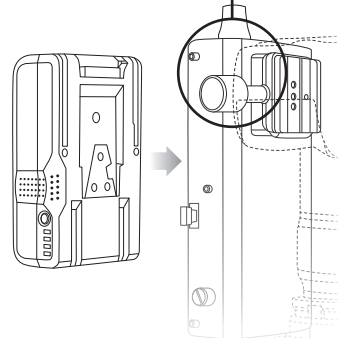
- 1** Lock the Sliding quick-release plate
- 2** Sequentially make the combination of ①, ②, ③ between the camera and the pier-mount downlight
- 3** Insert the carbon fiber rods as the supporting leg for control unit, then tighten the screw
- 4** From underside of battery holder upwards to mount V-battery



① Extension tube (used for Canon)  
Note: if using Canon camera but want to get 4X4 cm FOV, then only need to combine ① and ③ (instead of ①, ②, ③)

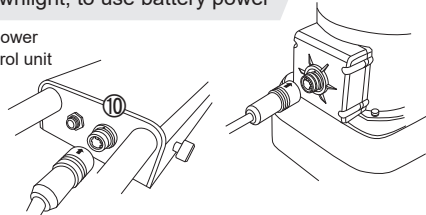


Insert the sliding quick-release plate to the cradle head on the control unit, then tighten the locking knob



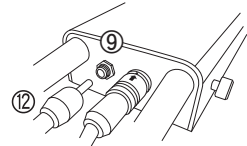
- 5** Insert one end of power cable (Note) into the ⑩ cable port beneath the control unit, and the other end into the cable port on the side of the pier-mount downlight, to use battery power

Note: The power cable provides power and communication between control unit and the pier-mount downlight

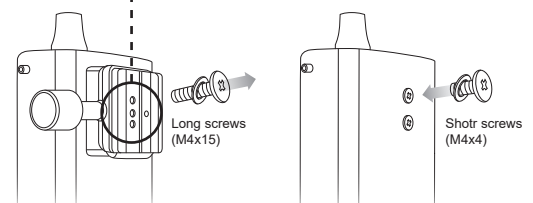


Note: if need to remove the sliding quick-release plate and cradle head, take out the 2 original long screws on the cradle head (keeping the use of shims), then replace other 2 short screws (in accessory box, 2 sets for replacement) and tighten; it's to avoid through the 2 holes infiltrate dust or liquid  
\*Keep the removed parts for the next use

- 6** Or, at the same time plug in the adapter, use ⑫ AC power cord, connect to the power port ⑨ beneath the control unit, directly supply the power



(Power cable should remain connected)



# X-Loupe<sup>®</sup> ForteLite System Specification

Control Unit	
Function	Power On, Off / Light Channel Switch / Lighting Modes Setting / Dimming Control
LCD Status Display	Battery check / Lighting Position* / Lighting Intensity *Enabling the function of 1/4 Ring (Single Quadrant) light, based on the product order.
Power Output	110W / Channel (MAX)
External Battery (not included)	Recommend: SONY V-mount BP series rechargeable battery* *For shipping safety, product package come without battery
Charging method	(1) External Battery (see the user manual of battery) (2) Power adapter* (DC IN: DC 19V / 47A ) included in the product set to charge via a wall outlet. *This adapter does not support V-mount battery charging; only use the dedicated charger for V-mount battery charging.
Material	Steel, Aluminum, ABS
Declaration of Conformity	FCC, CE
Operation Environment	0~40°C
Weight	1160g (Max)
Dimension (mm)	215(L) x 120(W) x 55(H)
Use in conjunction with Control Unit	<b>Pier-mount downlight</b>
Mounting Method	Magnet mount
Filter	49mm (outside diameter $\leq$ 54mm, thickness $\leq$ 5mm) / Glass
Channel & Light source	multi-channel. (up to 4-channel) Light Pack1: Latent Fingerprint Light Source - IR / White light ( for Anti-Stokes powders / Regular)
LED Brand	White light: High power Cree <sup>®</sup> LED, or Nichia CRI > 90CRI Blue light (or Custom wavelength): High power Cree <sup>®</sup> , Nichia or OSRAM LED, choose by wavelength
LED Number	96 (each channel x 48)
Power Consumption	55W (Max)
Dimming intensity	Intensity is dimmable from 1% to 100% (default setting 50%)
Color Temperature (White light)	5000K +/-500
Luminance	of W Channel: more than 6000lux (distance 0 cm)
Dimension (mm)	145(L) x 115(W) x 128(H)
Weight	735g (Max)
Material	Aluminum, ABS, RoHS compliant
Accessory material	Carbon fiber rods leg: Carbon fiber
Whole device Weight (camera and battery not included)	2200g
Power cable length	30cm / 120cm
Operation Environment	0~40°C

\*In the interest of continually improving products, Lumos Tech. reserves the right to update or modify information contained in this manual without prior notice.

\*The system only support and to be used with Canon or Nikon APS-C camera / 60mm macro lens for the best effect.

## Precautions for use

### ⚠ Warning ⚠

Read all instructions and understand the warnings prior to using this product.

Failure to read and follow these safety instructions could result in fire, explosion, electrical shock or other hazard causing serious and/or fatal injury and/or property damage. Please obey the following instructions.

1. This product is not a toy. Keep out of reach of children.
2. This device equipped high-brightness excitation LEDs; it is intense enough to injure eyes. While operating, for eyes safety, DO NOT look directly excitation light source, or stare the leak of light at close range.
3. DO NOT leave this device near the heat source or use in a hot environment; The device has ventilation holes to prevent the internal temperature from becoming too high. Pay attention to the running of cooling fan. DO NOT block the ventilation hole/vent hole of cooling fan.
4. Keep the device away from water or other liquids. A humid device could result in fire or electric shock. If it's wet, immediately turn off the device power, then wipe out the liquid on the device surface.
5. Turn off the LED lights when you aren't using them.
6. Refer all servicing to your distributor. Servicing is required when the device has been damaged in any way, such as power-supply cord is damaged, liquid has been spilled, the apparatus has been exposed to rain or moisture, does not operate normally, or has been dropped. Do NOT disassemble, alter or modify to this device.

Distributor



11653 台北市文山區萬和街8號7樓  
7th Floor, No. 8, Wanhe St., Wenshan District,  
116 Taipei City, Taiwan, R.O.C.  
TEL:886-2-2230-1168 FAX:886-2-2239-2112  
e-mail:service@x-loupe.com  
http://www.x-loupe.com http://www.lumos.com.tw

**LUMOS**  
Lumos Technology Co. Ltd.  
承奕科技股份有限公司

U  
ForteLite  
031618